



# USER GUIDE- LED LIGHTED MIRROR



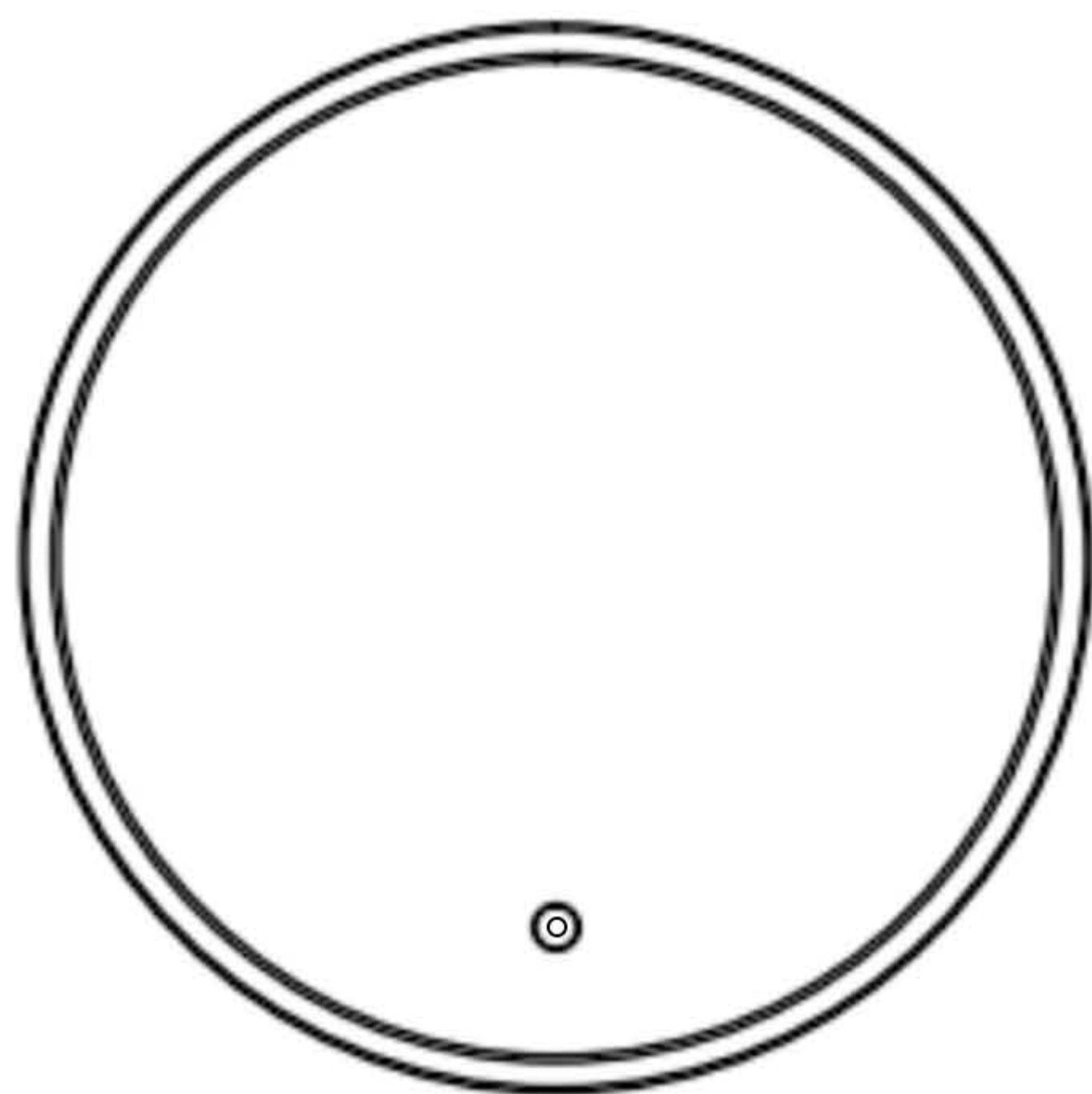
IF IN DOUBT ABOUT FITTING THIS PRODUCT, PLEASE CONSULT A QUALIFIED ELECTRICIAN



# IMPORTANT

PLEASE READ THE INSTRUCTIONS BEFORE SET UP AND INSTALLATION

## COMPONENT PARTS AND FITTINGS



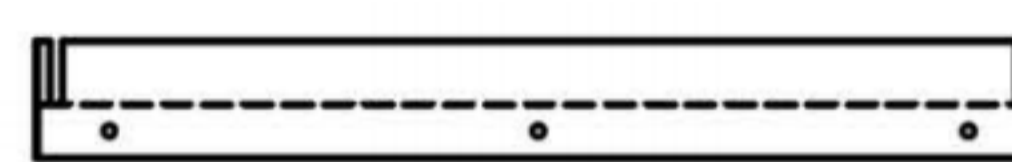
Mirror



Screw & Wall plug x 4  
(Included in pack)



Wire nut x 3  
(Included in pack)



Metal Cleat x1  
(Included in pack)

### Suggested Tools:



Screw driver



Drill

## Safety Warning

### Safety:

- We suggest you spend a short time reading the instruction leaflet
- Carefully check that you have all the parts before beginning assembly.
- Keep small parts and fittings out of children's reach and keep children well away from construction area, as the unassembled product contains small parts, which could present a choking hazard.
- We suggest you retain these instructions for future reference.
- This appliance can be used by adults ONLY.
- If the supply cord is damaged, it must be replaced by the manufacturer, its service agent or similarly qualified persons in order to avoid a hazard.

### Caution:

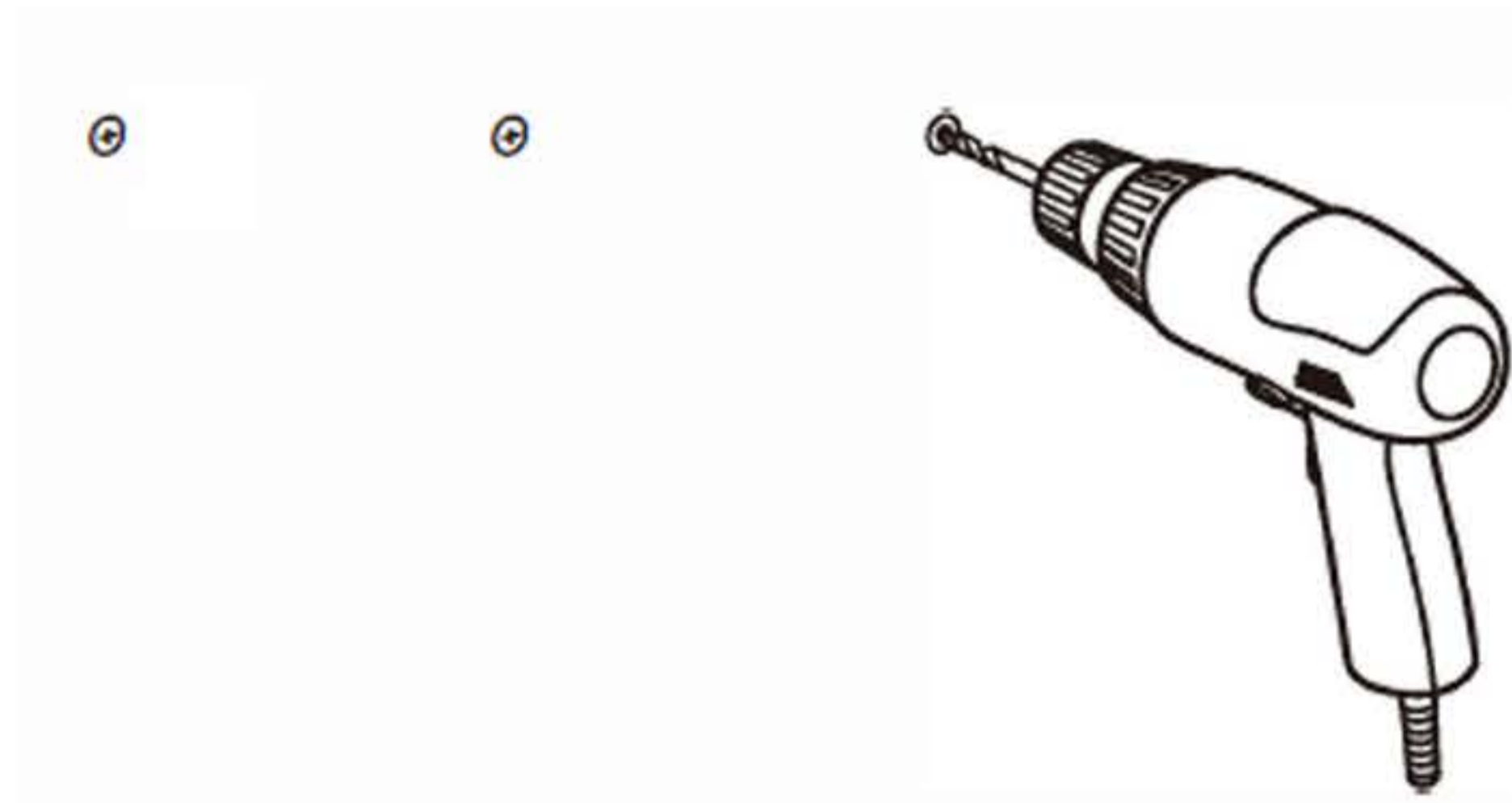
- In order to avoid overheating, do not cover the mirror.
- Switch off the mains supply and remove the appropriate fuse or switch off the appropriate circuit breaker before commencing installation.
- Make sure that there is no danger that the cord or extension cord is inadvertently be pulled or cause anyone to trip when in use.



# Assembly/User Instruction

Please read all instructions carefully. Before you proceed to install, make sure that the power supply is turned off and remains off until installation is complete.

Please note that each part has been assigned a number and proceed in a numerical order.

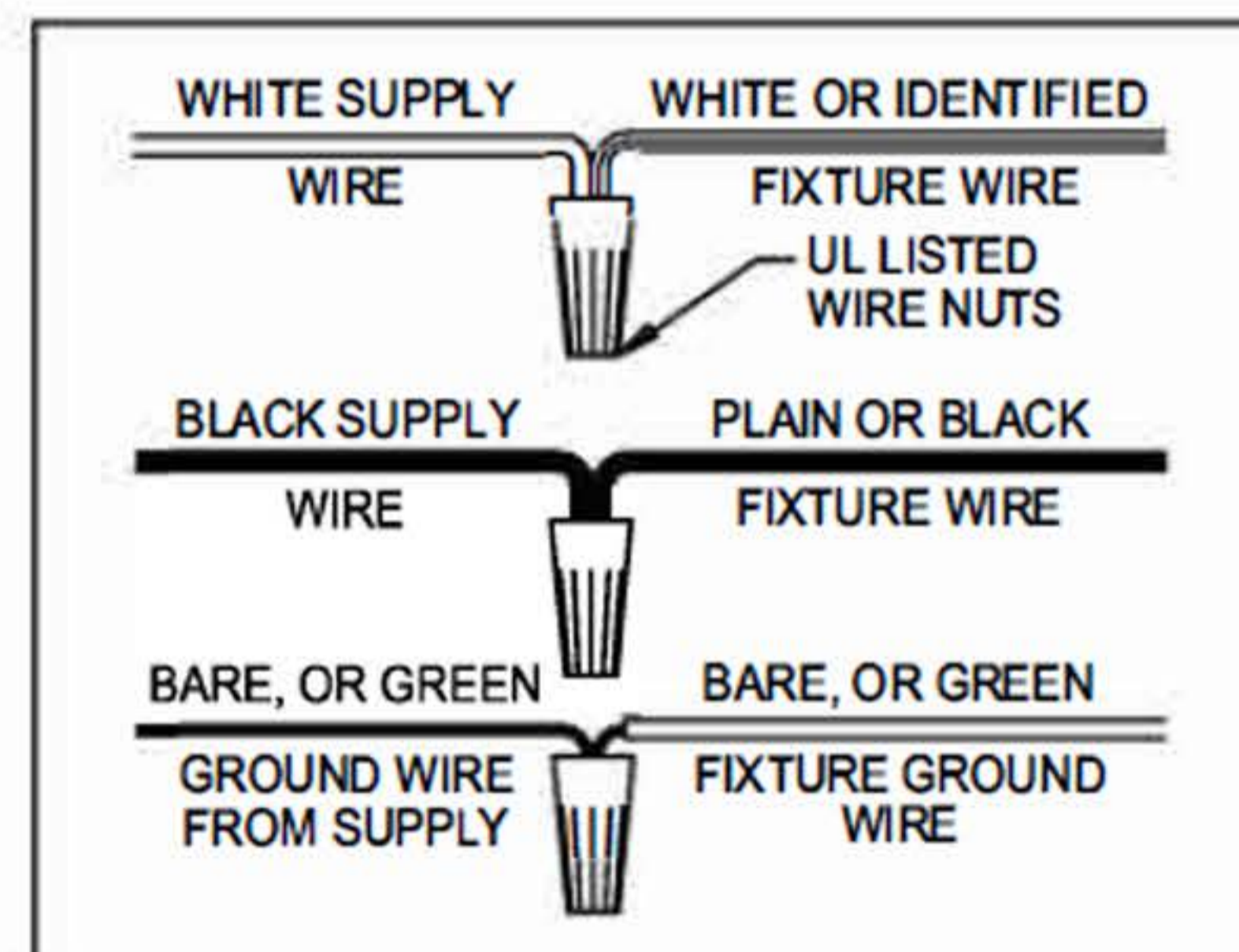
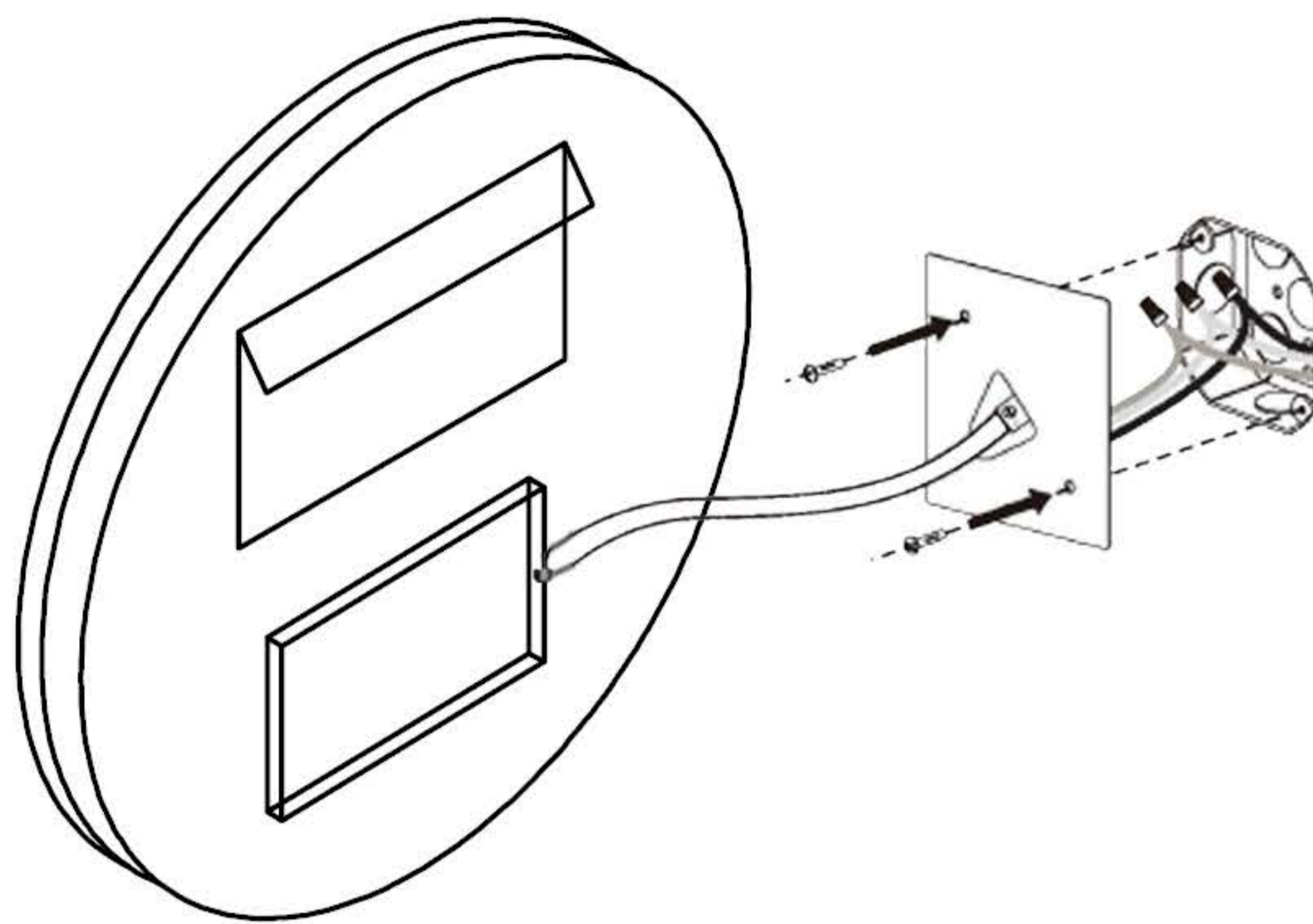


STEP1. Mark the position of the hanging screw.

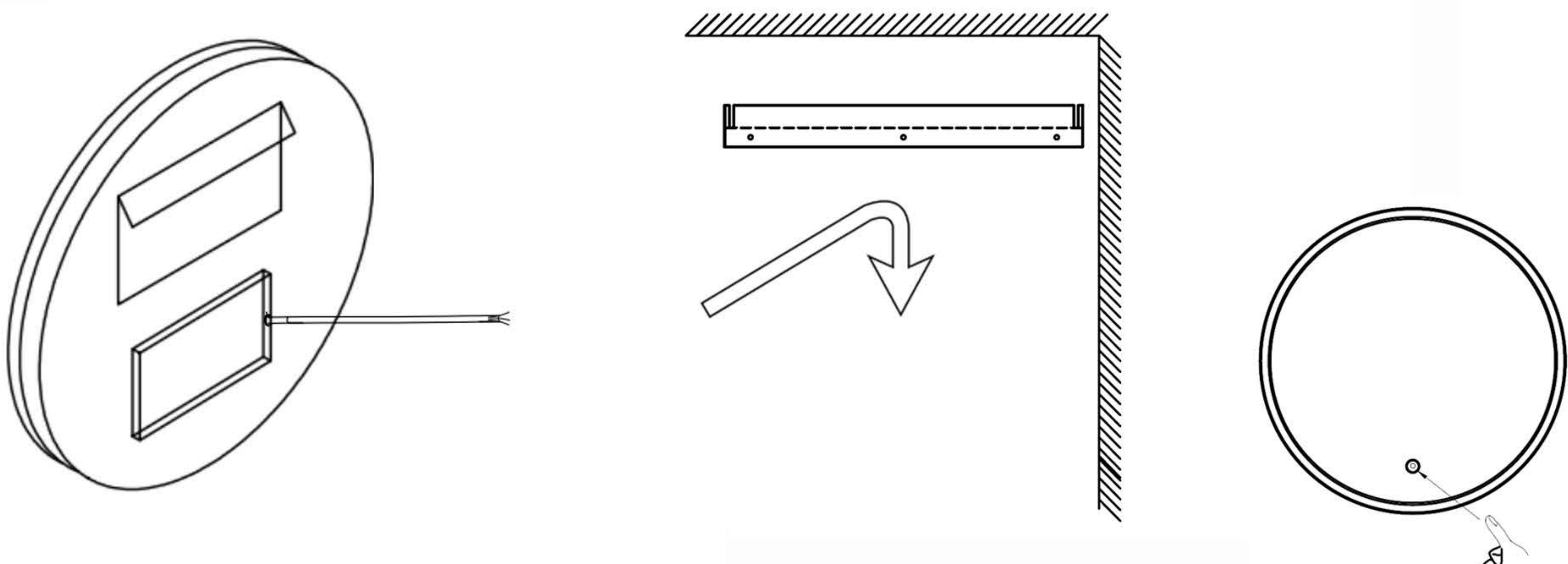


STEP2. Fix the screw.

STEP3. Connect to the main supply

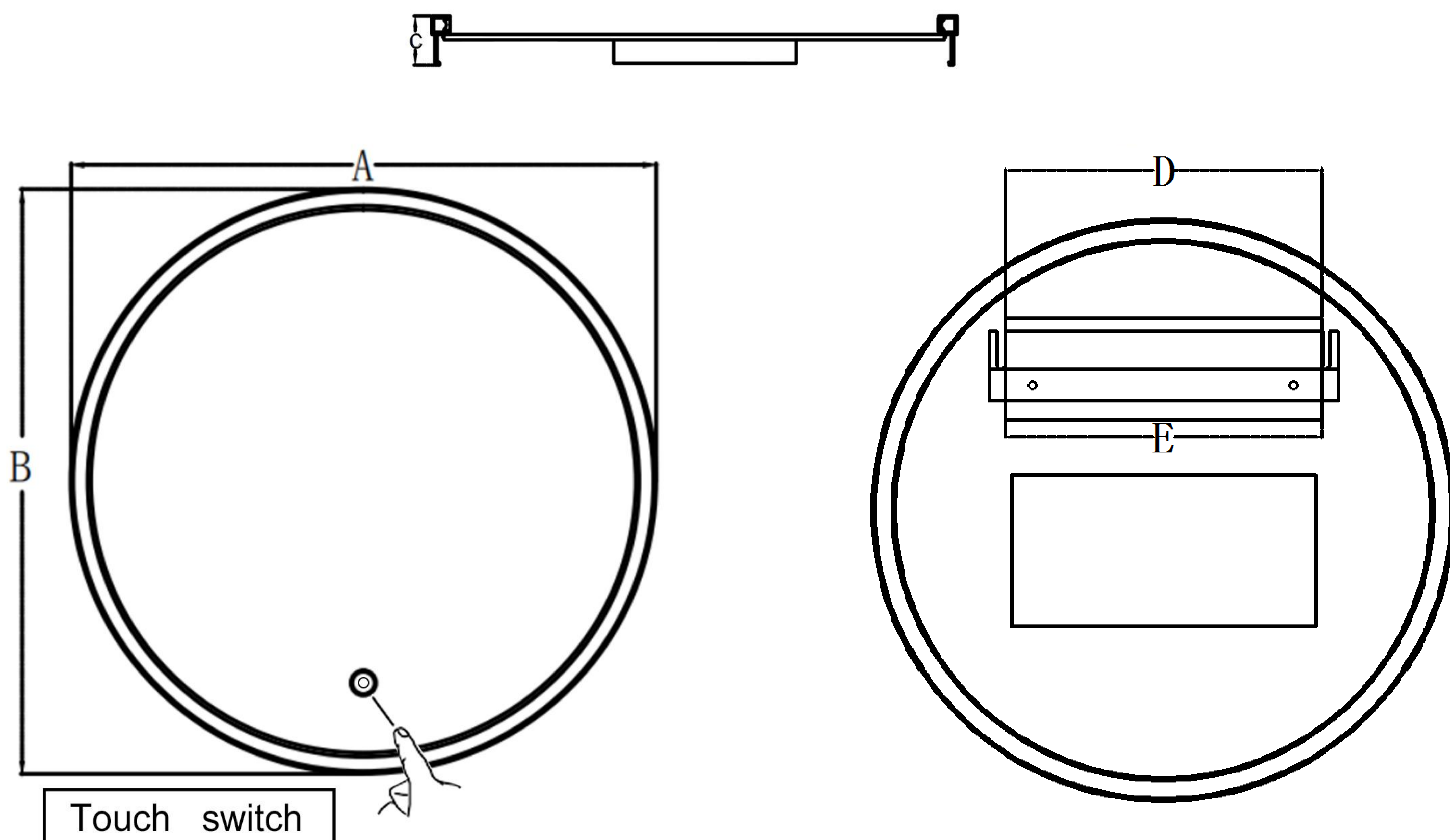


STEP4. Hang up the Mirror on the wall





## Installation Dimensions:



Can adjust three kinds of color temperature. Press once to change color temp. and on-off. Press and hold switch for dimming the lumens.

MODEL	A (inch)	B (inch)	C (inch)	D (inch)	E (inch)	Color Temperature	LED Length (inch)	Drive Wattage
MR6018BK	18	18	1.7	9.8	10.8	4200K/3000K/6400K	57	72W
MR6018BR	18	18	1.7	9.8	10.8	4200K/3000K/6400K	57	72W
MR6021BK	21	21	1.7	9.8	10.8	4200K/3000K/6400K	66.9	72W
MR6021BR	21	21	1.7	9.8	10.8	4200K/3000K/6400K	66.9	72W
MR6024BK	24	24	1.7	9.8	10.8	4200K/3000K/6400K	76.7	72W
MR6024BR	24	24	1.7	9.8	10.8	4200K/3000K/6400K	76.7	72W
MR6028BK	28	28	1.7	17.7	18.7	4200K/3000K/6400K	89.3	72W
MR6028BR	28	28	1.7	17.7	18.7	4200K/3000K/6400K	89.3	72W
MR6032BK	32	32	1.7	17.7	18.7	4200K/3000K/6400K	101.5	72W
MR6032BR	32	32	1.7	17.7	18.7	4200K/3000K/6400K	101.5	72W
MR6036BK	36	36	1.7	17.7	18.7	4200K/3000K/6400K	114	72W
MR6036GR	36	36	1.7	17.7	18.7	4200K/3000K/6400K	114	72W
MR6039BK	39	39	1.7	25.6	26.6	4200K/3000K/6400K	124	72W
MR6039BR	39	39	1.7	25.6	26.6	4200K/3000K/6400K	124	72W
MR6042BK	42	42	1.7	25.6	26.6	4200K/3000K/6400K	131.4	72W
MR6042BR	42	42	1.7	25.6	26.6	4200K/3000K/6400K	131.4	72W

